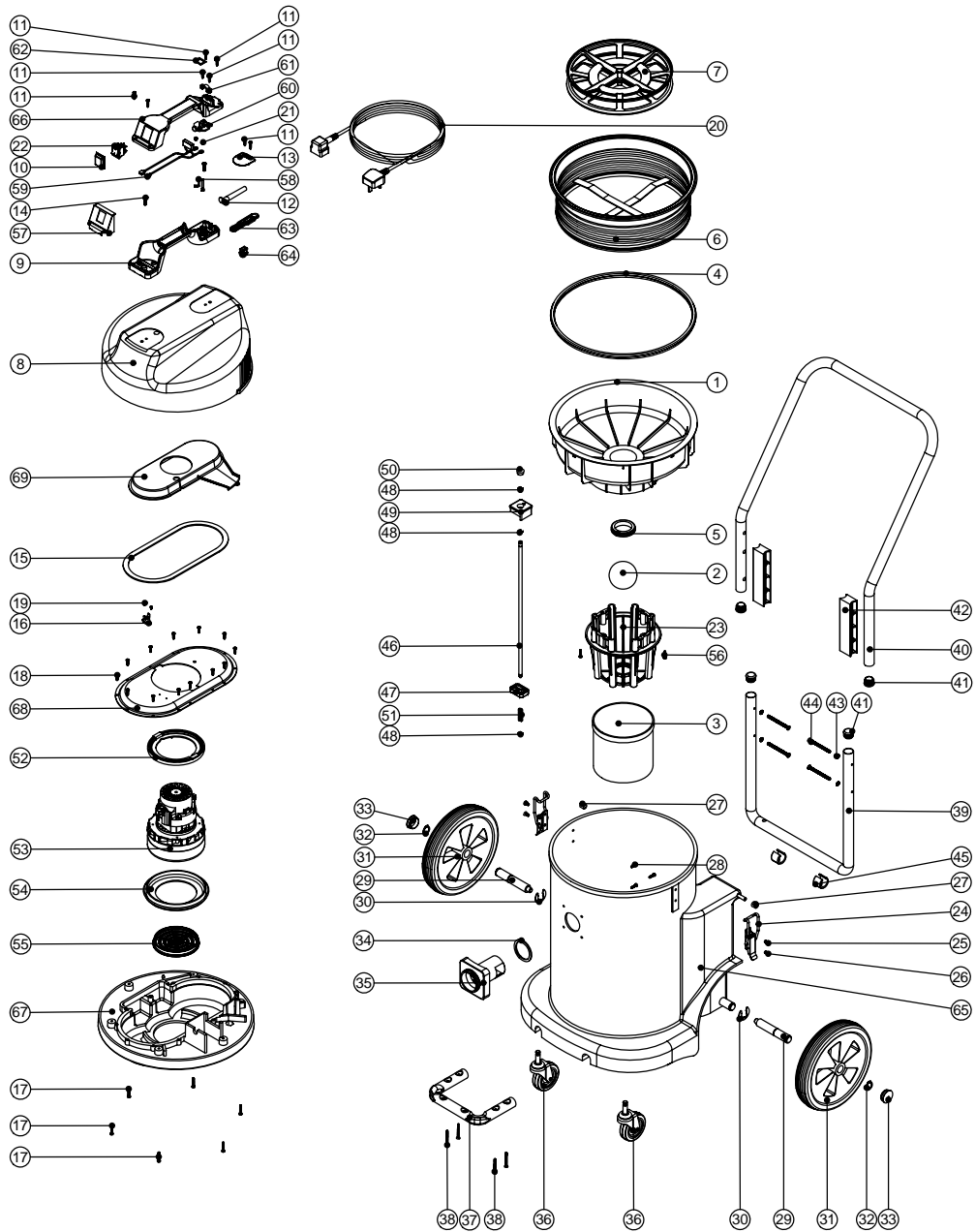


Numatic International Spare Parts

Model No: WV900-2 EXPLODED DRAWING

234346
DRAWING: EXP-0777 ISS:A03
26/06/2008



Numatic International Spare Parts

Model No: WV900-2 EXPLODED DRAWING

POS:	ITEM NO:	DESCRIPTION:	COMMENTS:
1	225101	FLOAT MOULDING	
2	206026	POLYPROP BALL	
3	207073	GAUZE FILTER	
4	202036	FLOAT MOULD EXTRUSION SEAL	
5	220235	FLOAT GROMMET	
6	207030	WHITE FILTER ASSEMBLY	
7	209600	DOUBLE 12 INCH FILTER GRID (GROOVED CIRCULAR RIB)	
8	227043	COVER MOULDING	
9	320686	HANDLE BASE MOULDING	
10	206573	SWITCH COVER (PLUG HANDLE)	
11	219107	No6 X 5/8 INCH LONG POZI PAN PLASTITE SCREW	
12	220923	STRESS RELIEF	
13	220131	CABLE CLAMP	
14	219546	M5 X 20MM LONG POZI PAN SEMS SCREW	
15	202012	GASKET	
16	220532	THERMOSTAT	
17	219369	No8 X 1 INCH LONG POZI PAN STAINLESS STEEL PLASTITE SCREW	
18	219370	No8 X 5/8 INCH LONG PLASTITE STAINLESS STEEL SCREW	
19	219491	M5 X 3MM LONG POZI PAN TAPTITE SCREW	
20	236009	10.0M X 1.00MM X 2 CORE NUCABLE (UK PLUG)	
	236123	10.0MT X 1MM X 2 CORE YELLOW CABLE (SOCKET + PLUG) EURO	
	236017	10.0M X 1.00MM X 2 CORE NUCABLE (SWISS PLUG)	
	236021	10.0M X 1.00MM X 2 CORE NUCABLE (SOUTH AFRICAN PLUG)	
	236029	10.0M X 1.00MM X 2 CORE NUCABLE (AUSTRALIAN PLUG)	
	236065	10.0M X 2 CORE X 2.5MM CABLE PLUS 32AMP PLUG	
	236063	10.0MT X 3CORE X 14AWG (YELLOW) SJTW 5-15P PLUG CSA	HARDWIRED MACHINES
21	219090	M4 X 8MM LONG POZI PAN SEMS SCREW	HARDWIRED MACHINES
22	220843	BLUE ROCKER SWITCH	
23	225130	MOULDED FLOAT CAGE	
24	206135	TOGGLE FASTENER	
25	219047	M5 X 10MM LONG POZI PAN SEMS SCREW	
26	219330	M5 X 12MM LONG POZI PAN COUNTERSUNK SCREW	
27	21985V	SPACER	
28	219105	No8 X 5/8 INCH LONG POZI PAN PLASTITE SCREW	
29	206137	STUB AXLE	
30	219306	E-CLIP	
31	204028	10 INCH WHEEL	
32	219308	CIRCLIP	
33	206131	BLACK PLASTIC CAP	
34	202027	HOSE FLANGE GASKET	
35	206117	FLANGE	
36	204060	3 INCH CASTOR	
37	303127	TOOL MOUNTING BAR	
38	219316	No10 X 43MM LONG POZI PAN COUNTER SUNK PLASTITE SCREW	
39	303128	LOWER HANDLE	
40	418671	BLACK UPPER HANDLE	
41	20637V	25.4MM TUBE END STOP	
42	206128	HANDLE BLOCK SPACER	
43	219423	M6 COUNTERSUNK LOCK WASHER	
44	219422	M6 X 70MM LONG POZI PAN COUNTERSUNK SCREW	
45	206295	PLASTIC SADDLE FOOT	
46	206133	LOCKING BAR	
47	206127	LOCKING BAR SUPPORT	
48	219307	E CLIP	
49	206126	LOCKING BAR KNOB	
50	206132	BLACK PLASTIC CAP	
51	219312	COMPRESSION SPRING	
52	227925	TOP MOTOR GASKET	
53	205411	240V 2 STAGE D.I BYPASS ACUSTEK MOTOR (BL21104)(MARKED 230V)	
	205410	220V 2 STAGE D.I BYPASS ACUSTEK MOTOR (BL21102)(MARKED 230V)	
	205409	120V 2 STAGE D.I BYPASS ACUSTEK MOTOR (BL21101)	
54	202005	MOTOR BOTTOM GASKET	
55	206110	FAN GUARD	
56	219568	No8 X 3/4 INCH LONG POZI PAN STAINLESS STEEL SCREW	
57	227635	SWITCH MOUNTING BRACKET (1 SWITCH)	
58	206562	CONTACT PIN	
59	220142	SUPPRESSOR ASSEMBLY	
60	227632	TERMINAL COVER & CLAMP	
61	227564	PLUG LOCATION CLAMP	
62	202000	TERMINAL GASKET	
63	227636	STRAIN RELIEF	
64	227637	CABLE CLIP	
65	300030	PROCESSED BLUE PLASTIC CONTAINER	
	300031	PROCESSED RED PLASTIC CONTAINER	
	325054	PROCESSED GREEN PLASTIC CONTAINER	
	325055	PROCESSED YELLOW PLASTIC CONTAINER	
	325130	PROCESSED GREY PLASTIC CONTAINER	
66	227625	HANDLE COVER (10AMP / 2 PIN / 1 SWITCH)	
	227627	HANDLE COVER (HARDWIRE / 1 SWITCH)	
67	301047	PROCESSED BOTTOM MOTOR HOUSING	
68	325129	TOP MOTOR HOUSING	
69	227929	AIR SEPERATOR (SIMPLEX)	